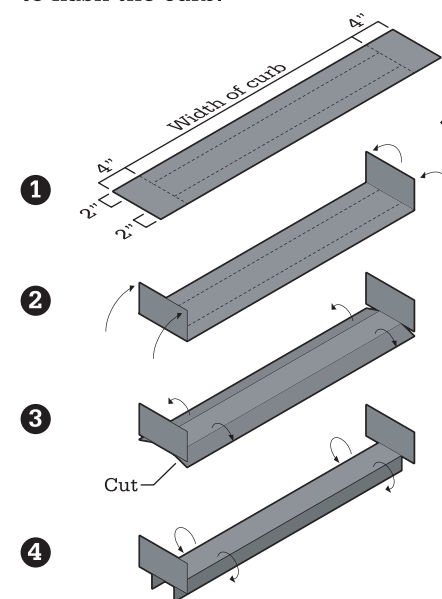


Custom Shower Pan Folding & Fastening Techniques

In custom tile showers, the shower pan liner serves as the last line of defense against water leaks in the shower floor. Specifically, it collects any water that saturates the mortar bed above and directs that water toward the drain. Here, we take an in-depth look at how to properly fold and fasten one type of shower pan liner—a manufactured sheet membrane. Proper folding and fastening is essential in preventing water from reaching sensitive building materials like the framing and subfloor.

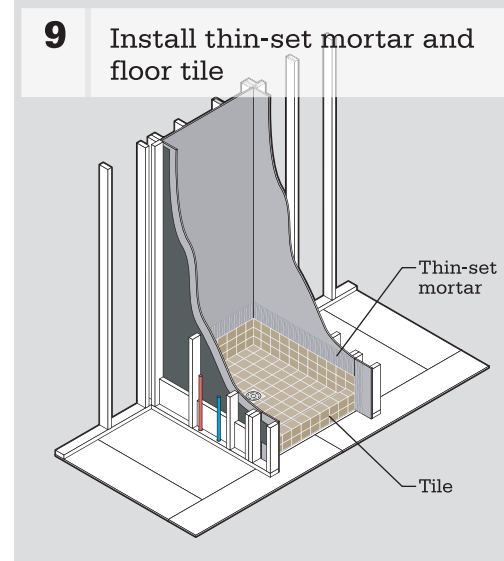
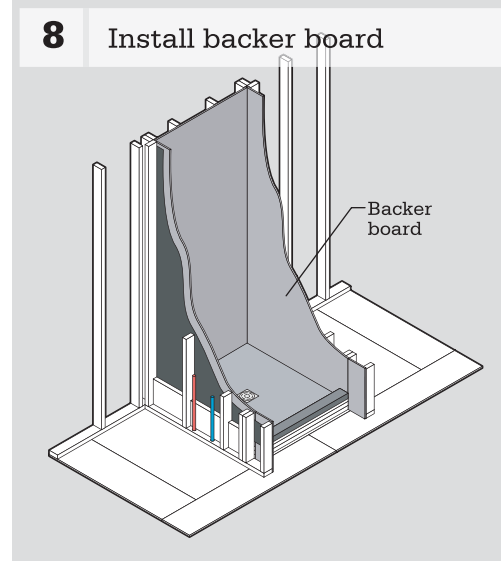
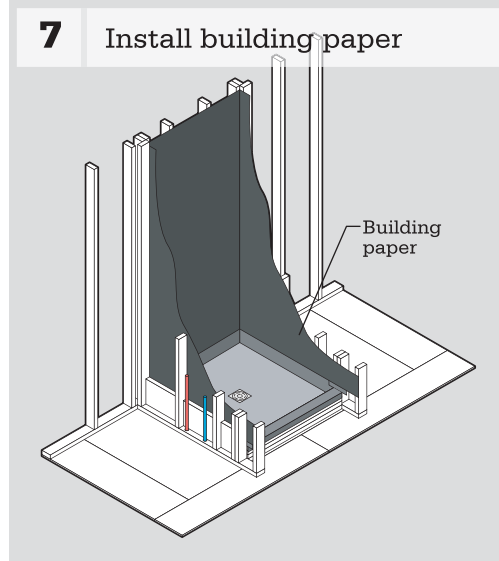
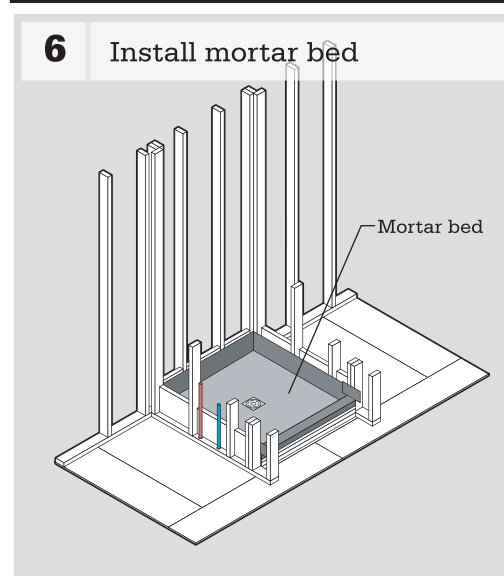
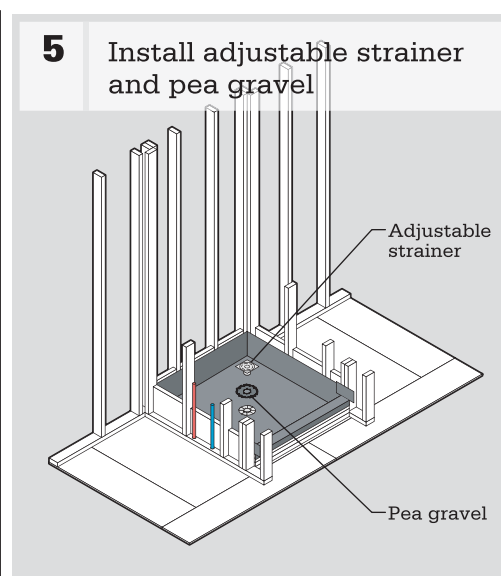
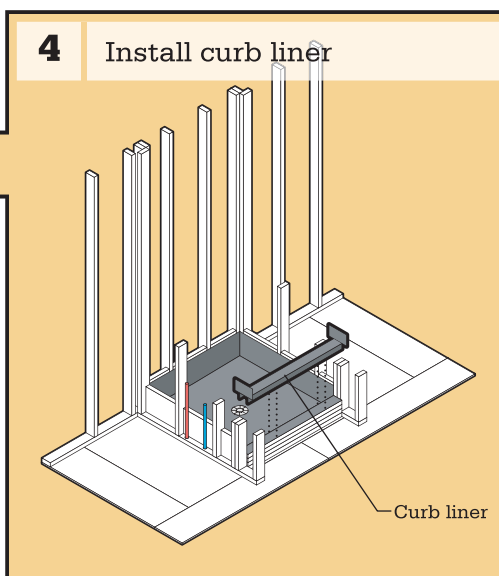
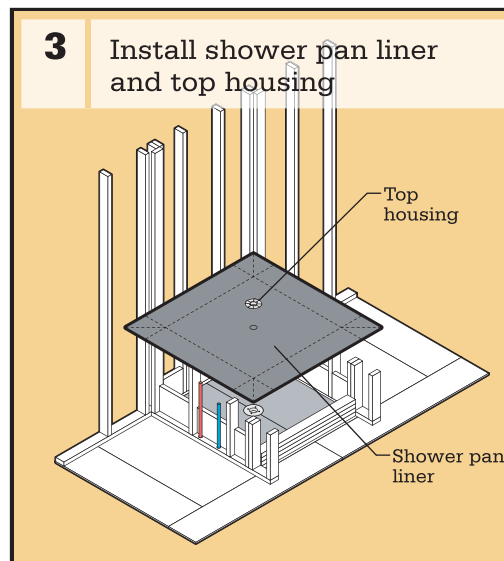
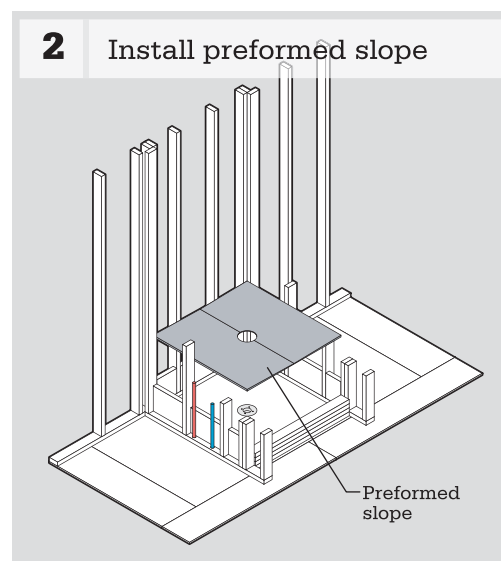
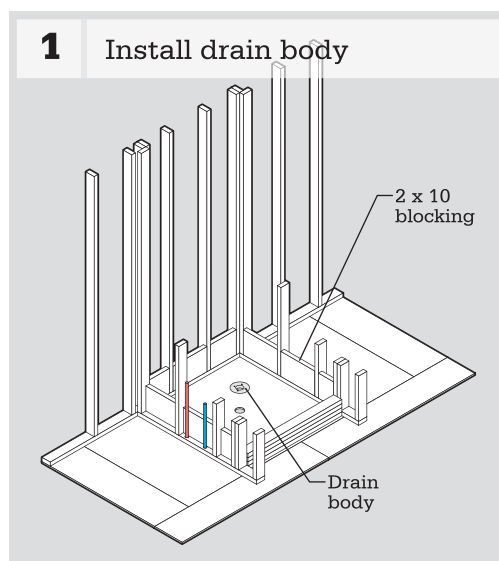
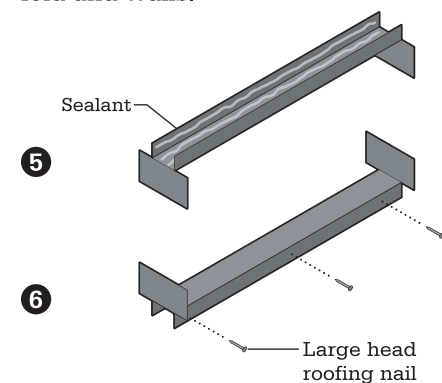
Folding the curb liner

Cut a second piece of liner in order to flash the curb.



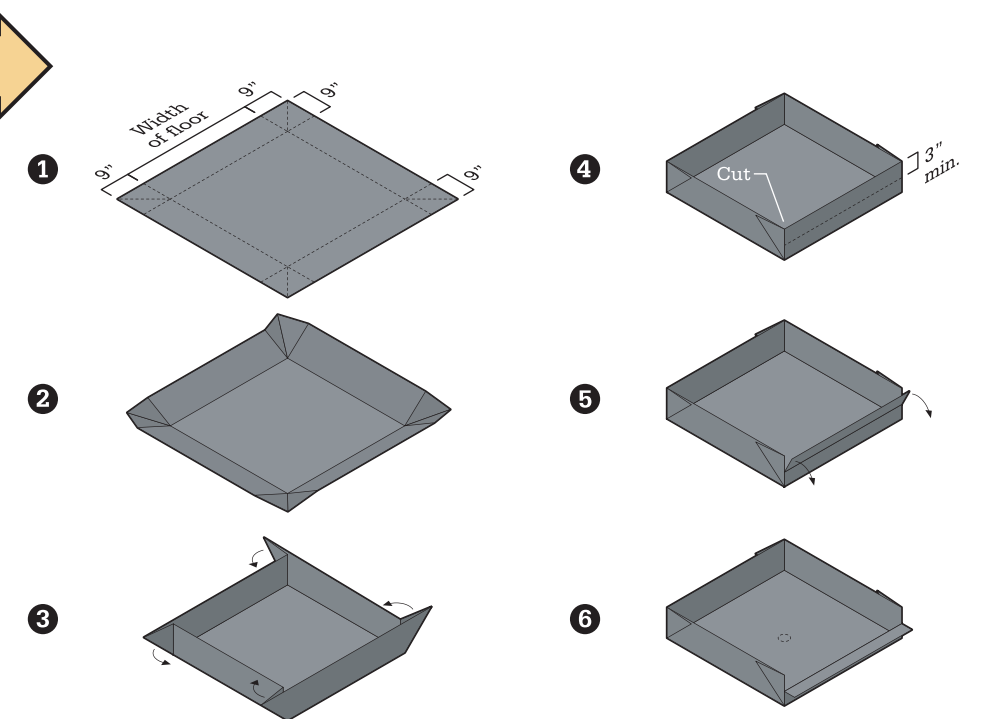
Fastening the curb liner

Fasten the curb liner with large head roofing nails at the exterior fold and walls.



Folding the shower pan liner

Before you begin folding, cut the sheet to length, allowing for a 9" upturn on all sides. Place the liner in the shower area and fold. Proper folding is important in preventing water from reaching the framing and subfloor.



Pro Tip!

To support the shower pan liner at the sidewalls, install 2 x 10 blocking between the studs.

Caution!

Do not cut the shower pan liner to create the corners.

Fastening the shower pan liner

Fasten the shower pan liner with large head roofing nails at every stud or 16" o.c. maximum.

